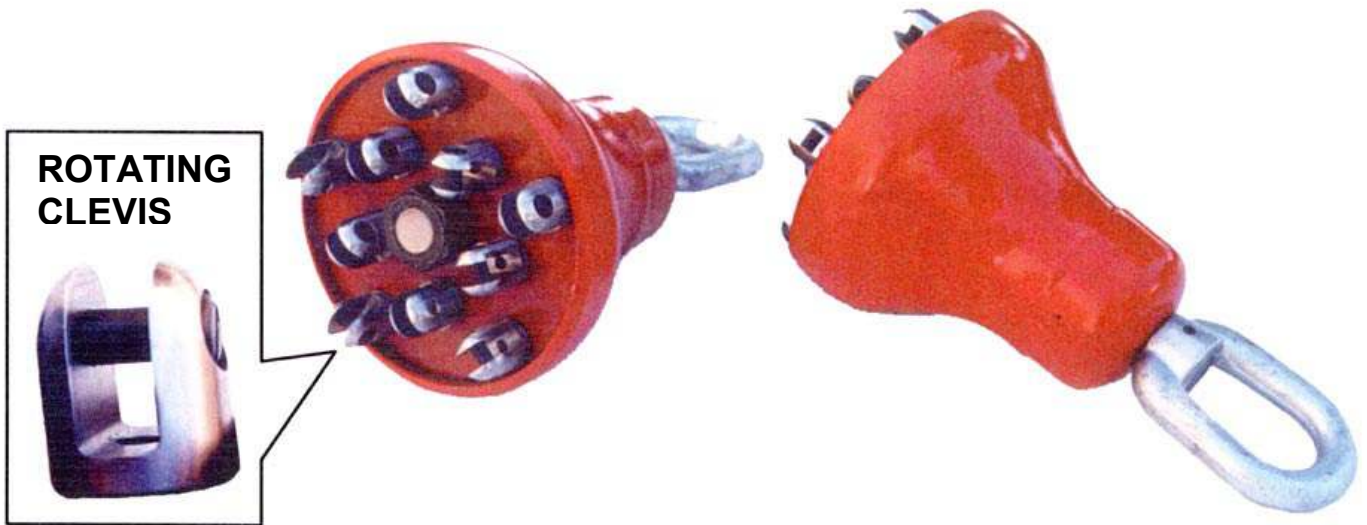


MULTI PULLER



The Multi Puller is a means by which a number of pipes or cables can be drawn into a larger pipe or trench at the same time. It can also be attached to the rear eye of a large standard tow head, thus enabling the outer pipe and the pipe bundle to be pulled at the same time.

The Multi Puller consists of a large nose cone into the rear of which a plate is fitted. This plate has a number of clevises attached. The actual number depending on the sizes and quantity of towing heads to be pulled. For ease of assembly the clevises are free to rotate when attaching the towing heads, (which will have been previously attached to the pipe bundle).

They can be supplied with any configuration of towing heads. The table overleaf shows the maximum quantity of towing heads of one size that can be fitted behind one nose.

ADVANTAGES

- Welded steel construction.
- Leading edges concealed within unit.
- Steel clevises with hardened pin for attaching towing/pulling heads.
- Clevis eyes rotate easily.
- Housing gives protection to ducts being pulled.

Pipe Equipment can also supply a range of Towing Slings fabricated from wire rope, complete with shackles to attach to towing head eyebolts, which may prove to be a more cost effective alternative.

The company follow a policy of continuous product development and as such reserves the right to make alterations to equipment and techniques without prior notice.

PIPE EQUIPMENT SPECIALISTS LTD

66 DUKESWAY, TEESIDE INDUSTRIAL ESTATE, THORNABY, STOCKTON-ON-TEES, TS17 9LT, ENGLAND

TEL: +44 (0) 1642 769789 FAX: +44 (0) 1642 769456

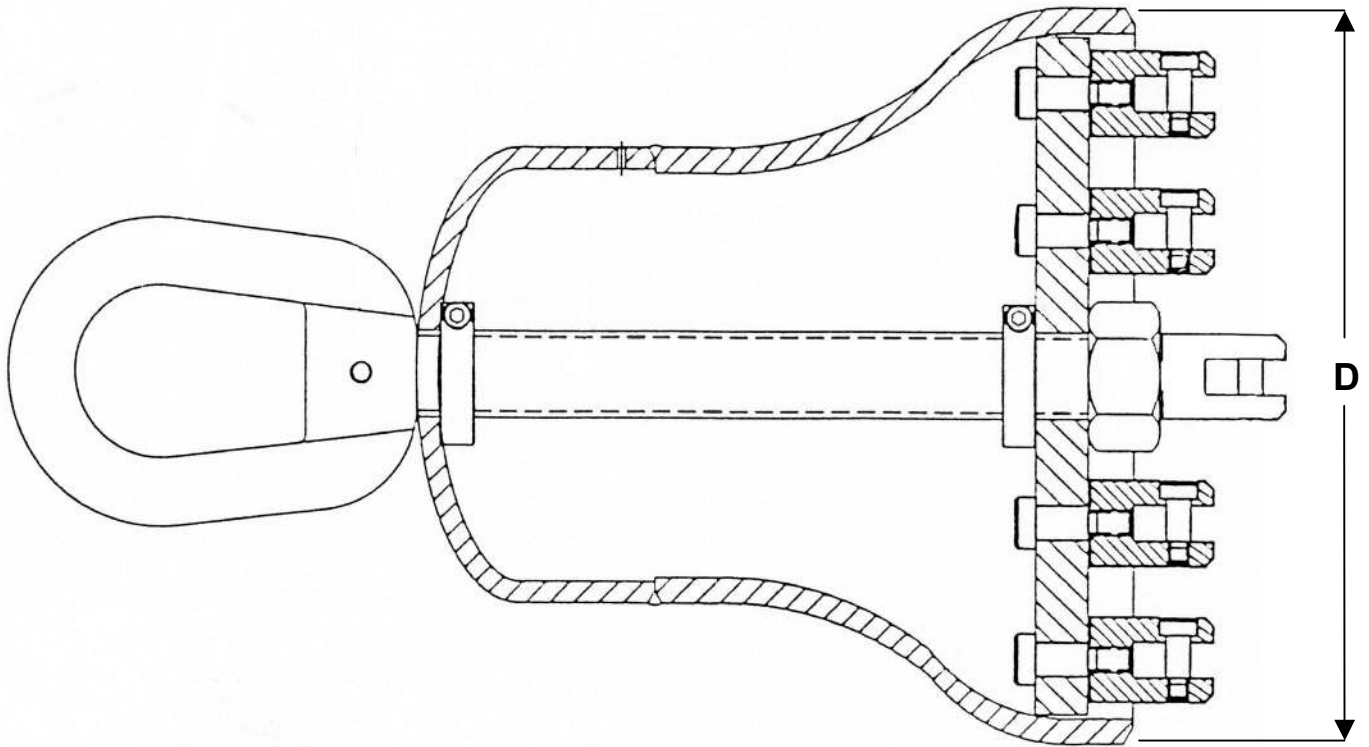
www.pipe-equipment.co.uk Email: info@pipe-equipment.co.uk



Certificate Number: 1253

WP/TIS/MTH/405F

MULTI PULLER



MAXIMUM NUMBER OF TRAILING TOWING HEADS

Nose Outside Diameter 'D' (mm)	32mm	40mm	50mm	63mm	75mm	90mm	110mm	125mm	140mm
114	7	4	-	-	-	-	-	-	-
168	13	10	7	4	3	-	-	-	-
219	29	20	10	8	5	3	-	-	-
273	45	28	20	10	8	5	3	2	-
324	-	44	27	17	10	8	5	4	3
357	-	-	34	21	15	9	7	5	4
457	-	-	-	37	25	17	10	8	7

The above table indicates the maximum quantity of a single size of standard tow heads that can be placed behind a Multi Puller. Many other combinations are possible, please contact us to discuss your requirements in more detail.

Every effort is made to ensure that information given in this table is correct but Pipe Equipment Specialists Ltd. cannot be held responsible for mistakes in printing or misinterpretation that could lead to prosecution on incorrectly purchased products.

PIPE EQUIPMENT SPECIALISTS LTD

66A DUKESWAY, TEESIDE INDUSTRIAL ESTATE, THORNABY, STOCKTON-ON-TEES, TS17 9LT, ENGLAND

TEL: +44 (0) 1642 769789 FAX: +44 (0) 1642 769456

www.pipe-equipment.co.uk Email: info@pipe-equipment.co.uk



Certificate Number: 1253

WP/ TIS/MTH/405/R